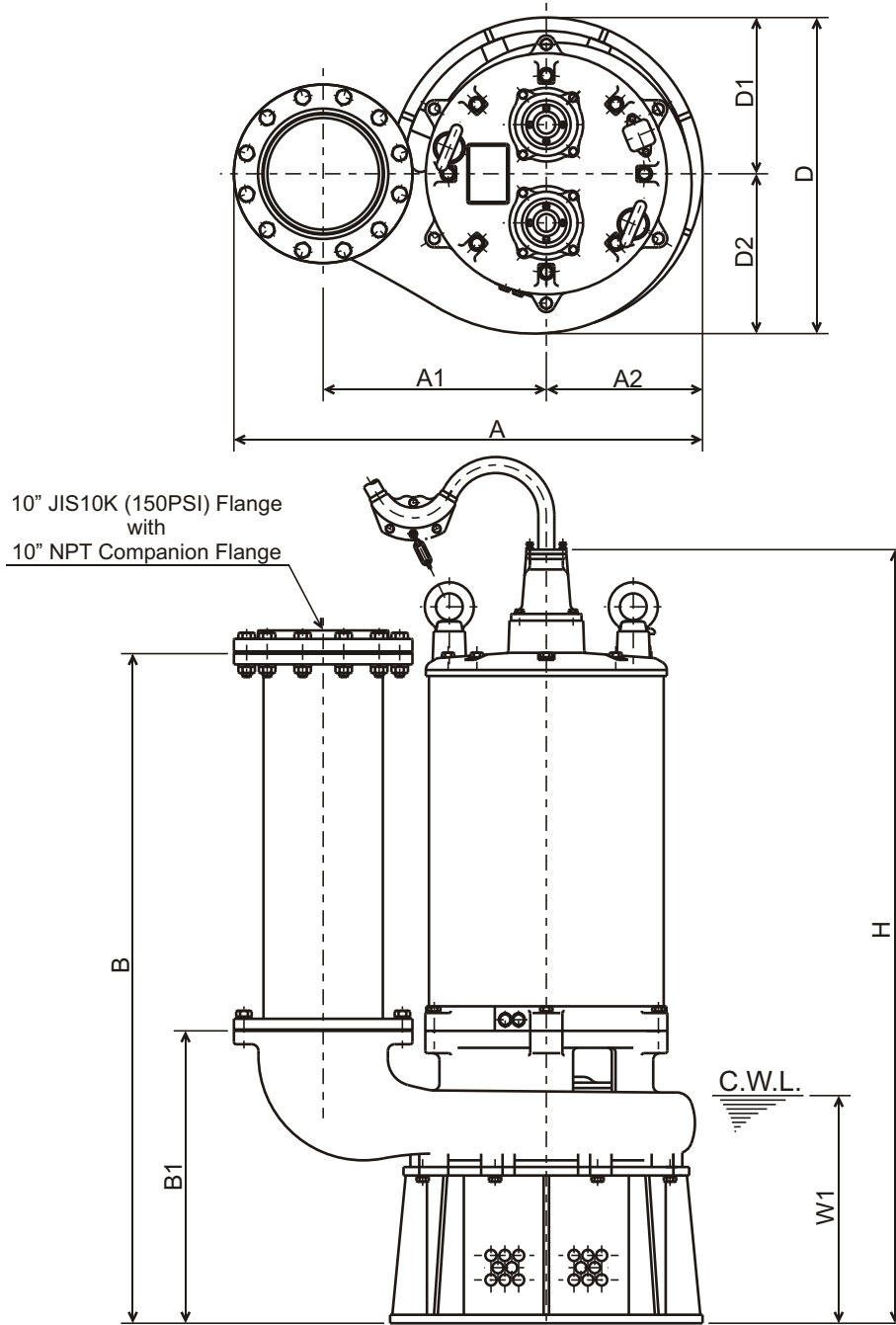




GSZ-4 SERIES
HIGH VOLUME - DEWATERING PUMPS

DIMENSIONS

GSZ-55-4
GSZ-75-4



C.W.L. : Continuous running Water Level

DIMENSIONS:USCS (In ch)

Model	HP	NOM. SIZE	Pump & Motor									C.W.L. W1	Wt. (lbs.)
			A	A1	A2	B	B1	D	D1	D2	H		
GSZ-55-4	75	10"	41 5/16	19 11/16	13 3/4	59 1/16	25 13/16	27 7/8	13 3/4	14 1/8	68 1/4	20 1/8	2530
GSZ-75-4	100	10"	41 5/16	19 11/16	13 3/4	59 1/16	25 13/16	27 7/8	13 3/4	14 1/8	68 1/4	20 1/8	2640

DIMENSIONS:METRIC (mm)

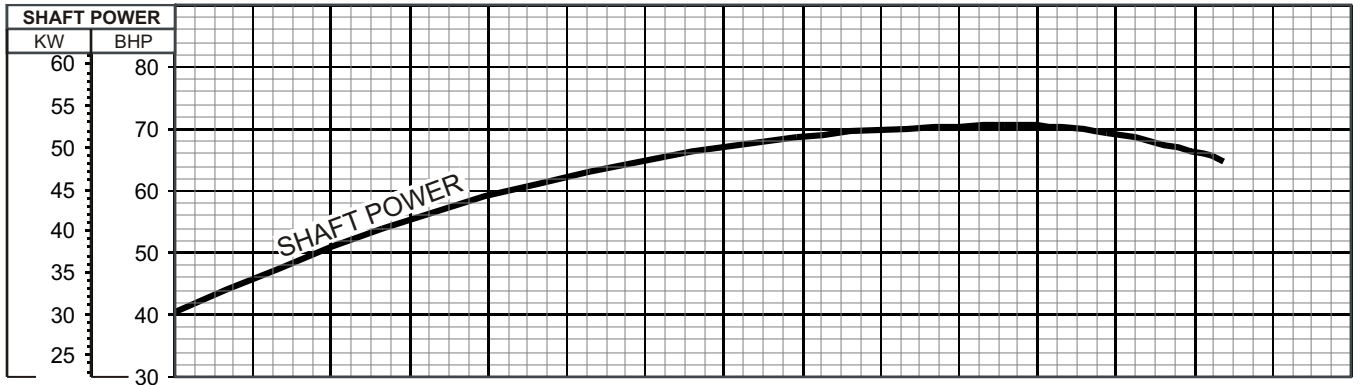
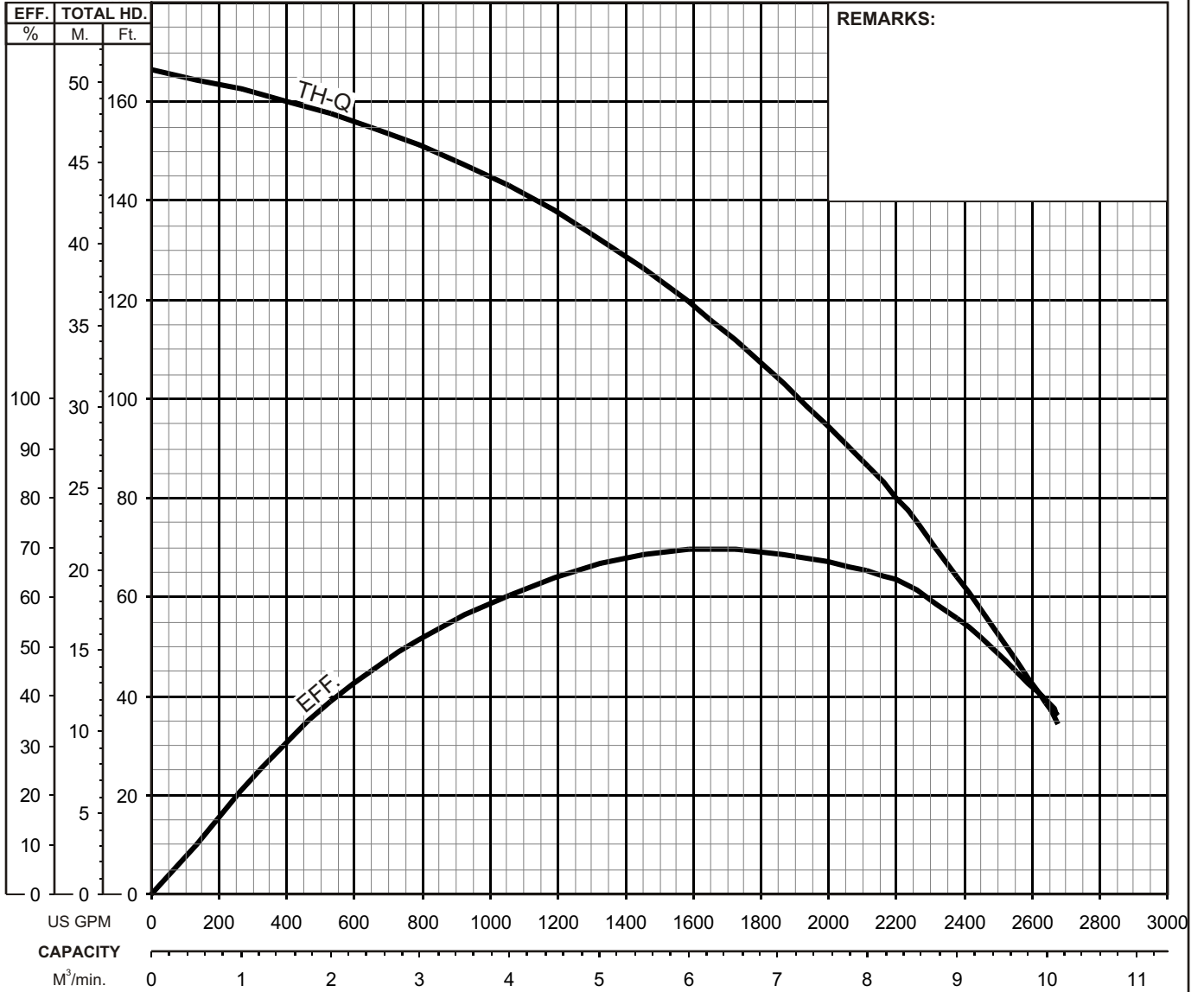
Model	kW	NOM. SIZE	Pump & Motor									C.W.L. W1	Wt. (kg)
			A	A1	A2	B	B1	D	D1	D2	H		
GSZ-55-4	55	250	1050	500	350	1500	655	708	350	358	1733	510	1150
GSZ-75-4	75	250	1050	500	350	1500	655	708	350	358	1733	510	1200



GSZ-4 SERIES HIGH VOLUME - DEWATERING PUMPS

PERFORMANCE CURVE

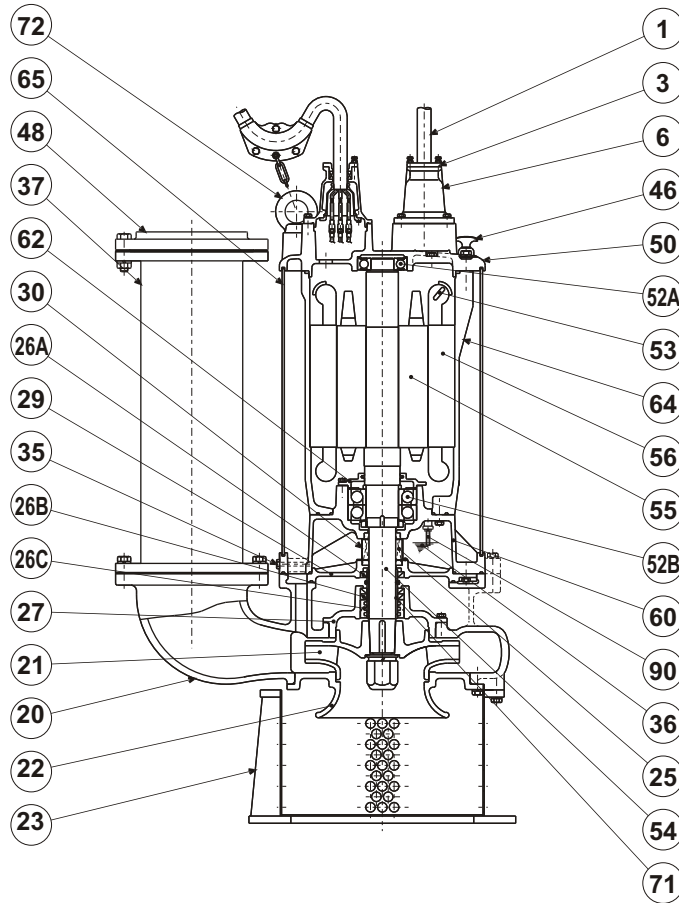
MODEL	BORE	HP	KW	RPM	SOLIDS DIA	LIQUID	SG.	VISCOSITY	TEMP.
GSZ-55-4	10"/250mm	75	55	1760	0.984"/25mm	Water	1.0	1.123 cSt.	60°F
PUMP TYPE		PHASE	VOLTAGE		AMPERAGE	HZ	STARTING METHOD		INS. CLASS
High Volume - Dewatering Pump		3	440-460 / 575		95-92 / 74	60	Star-Delta		E
CURVE No.	DATE	PHASE	VOLTAGE		AMPERAGE	HZ	STARTING METHOD		INS. CLASS
-	-	-	-		-	-	-		-





GSZ-4 SERIES
HIGH VOLUME - DEWATERING PUMP

SECTIONAL VIEW



GSZ-55-4
GSZ-75-4

ITEM#	DESCRIPTION	MAIN MATERIAL / NOTE	ASTM, AISI CODE	RELATED EN CODE	QTY
1	Power Cable	Chloroprene Sheath AWG 2/3 , 6/1 , 14/3 -50ft			1
	Power Cable	Chloroprene Sheath AWG 2/3 -50ft			1
3	Gland	Cast Iron	A48M Class30B	EN 1561 GJL-200	2
6	Stuffing Box	Cast Iron	A48M Class30B	EN 1561 GJL-200	2
20	Pump Casing	Cast Iron	A48M Class30B	EN 1561 GJL-200	1
21	Impeller (GSZ-55-4)	High Chrome Cast Iron	A532 Class TypeA	DIN 1695 G-X260Cr27	1
	Impeller (GSZ-75-4)	Stainless Steel Casting	A743 CF-8	GX5CrNi19-10	1
22	Suction Cover	Cast Iron	A48M Class30B	EN 1561 GJL-200	1
23	Suction Strainer	Steel	A283 Grade D	EN 10025 S275	1
25	Mechanical Seal	Silicon Carbide / H-70			1
26A	Oil Seal	NBR / TC-8011515			2
26B	Oil Seal	NBR / TC-8011515			1
26C	Labyrinth Ring	Stainless Steel	S 40300	1.4000	1
27	Seal Housing	Cast Iron	A48M Class30B	EN 1561 GJL-200	1
29	Oil Casing	Cast Iron	A48M Class30B	EN 1561 GJL-200	1
30	Oil Lifter	Steel (Cold Rolled)	A109/A1008	EN 10130	1
35	Oil Plug	Stainless Steel	S 30400	1.4301	2
36	Lubricant	Turbine Oil ISO VG32 or SAE 10W-20			
37	Discharge Pipe	Steel Pipe (& Steel) / 10" JIS10K	A53 Type F (& A283 Grade D)	DIN 1615 St 33 (& EN 10025 S275)	1
46	Air Release Valve	Steel (Cold Rolled)	A109/A1008	EN 10130	1
48	Companion Flange	Cast Iron / NPT 10" JIS10K	A48M Class30B	EN 1561 GJL-200	1
50	Motor Bracket	Cast Iron	A48M Class30B	EN 1561 GJL-200	1
52A	Upper Bearing	#6312ZC3			1
52B	Lower Bearing	#7317DBC3			1
53	Motor Protector				3
54	Shaft	Stainless Steel	S 42000	1.4028	1
55	Rotor				1
56	Stator				1
60	Bearing Housing	Cast Iron	A48M Class30B	EN 1561 GJL-200	1
62	Bearing Cover	Cast Iron	A48M Class30B	EN 1561 GJL-200	1
64	Motor Housing	Cast Iron	A48M Class30B	EN 1561 GJL-200	1
65	Outer Cover	Steel	A283 Grade D	EN 10025 S275	1
71	Shaft Sleeve	Stainless Steel	S 40300	1.4000	1
72	Lifting Lug Bolt	Steel	A283 Grade D	EN 10025 S275	2
90	Leak Sensor (Electrode)	Stainless Steel	S 30300	1.4305	1

PARTS LIST		HI VOLUME DEWATERING/SLURRY PUMP			4/8/2014	
ITEM	PART No.	DESCRIPTION	QTY	SIZE	MATERIAL	NOTES
1	141-006-19	Hex.Nut	6	M10	SUS304	
2	010-103-21	Cable Clip	4	No.4	SPC	
3	010-129-10	Cable Clip Rubber	2	115x100x2t	NBR	
4	140-074-15	Hex.Bolt	6	M10x20	SUS304	
5	011-101-19	Shackle	2	6mm	SS	
6	095-100-18	Chain	2	d5(9-Link)	SS	
7	072-108-15	Eye Bolt	2	M30	SF	
8	140-058-13	Hex.Bolt	8	M8x40	SUS304	
9	141-005-18	Hex.Nut	8	M8	SUS304	
10	003-106-19	Gland	2	No.5	FC	
11	004-000-08	Cable Bush	2	d34.5xd58x27L	NBR	
12	006-103-28	Stuffing Box	2	No.5	FC	
13	122-264-18	O-Ring	2	140xd3.5	NBR	*
14	140-076-17	Hex.Bolt	8	M10x30	SUS304	
15	142-164-19	Spring Washer	8	M10	SUS304	
16	001-002-58	Cabyre Cable (Sold per meter) 460V-575V 60Hz	15	3PNCT3Cx30mm2(d34)	(Vm)	
17	001-002-57	Cabyre Cable (Sold per meter) 575V 60Hz	15	2PNCTFMulti- core7Cx30mm2(d34.1)	(Vm)	
18	008-105-13	Mould Cover	2	No.3	NBR	
19	003-149-14	Gland (Lower)	2	No.5	FC	
20	009-107-18	Terminal	1	R-14-6	CU	
21	140-033-12	Hex.Bolt	8	M6x16	SUS304	
22	009-114-18	Connector	2	PC-4020M		
23	009-115-19	Connector	2	PC-4020F		
24	141-004-46	Hex.Nut	6	M6	C3604	
25	009-167-16	Terminal	6	R-38-S6	CU	
26	009-107-18	Terminal	1	R-14-6	CU	
27	140-029-31	Hex.Bolt	6	M6x10	C3604	
28	002-115-18	Heat Shrink Tube (Sold per meter)	m	EVA(d16.5x1t)	(Vm)	
29	002-116-19	Heat Shrink Tube (Sold per meter)	m	A4(d20x0.35t)	(Vm)	
30	140-052-17	Hex.Bolt	2	M8x16	SUS304	
31	142-163-18	Spring Washer	2	M8	SUS304	
32	046-000-05	Air Release Valve	1	GSZ/NKZ/B	SPCC	
33	121-151-18	Packing	1	P.C.80xd50	CR	*
34	203-058-11	Ball	1	d28	SS	
35	140-130-10	Hex.Bolt	8	M16x70	SUS304	
36	142-166-11	Spring Washer	8	M16	SUS304	
37	142-130-16	Plain Washer	8	M16	SUS304	
38	121-457-17	Seal Packing	8	d16xd27x4t	NBR	
39	035-102-30	Air Tightness Test Plug	1	M12x16(B=21)	SUS304	
40	122-259-10	O-Ring	1	12xd3	NBR	*
41	050-204-27	Motor Bracket	1		FC	
42	122-451-14	O-Ring	1	500xd5.7	NBR	*
43	016-130-12	Lead Wire Protection Bush	2	d25xd40x20t	NBR	
44	052-114-12	Bearing	1	6312ZZC3		

* Indicates items included in set

PARTS LIST		HI VOLUME DEWATERING/SLURRY PUMP			4/8/2014	
ITEM	PART No.	DESCRIPTION	QTY	SIZE	MATERIAL	NOTES
45	058-140-15	Lead Wire Protection Plate	1	d140xd245x1.5t	SPC+Rubber	
46	142-163-34	Spring Washer	2	M8	SWRH	
47	140-058-71	Hex.Bolt	2	M8x40	SWRM	
48	055-386-16	Rotor	1Set			
49	147-013-17	Impeller Key	1	15x10x78L	SUS420	
50	053-305-15	Motor Protector	3	9700K-01-215	(H)	
51		Stator	1Set			
52	122-113-11	O-Ring	1	P-375(374.5xd8.5)	NBR	*
53	064-159-29	Motor Frame	1		FC	
54	122-308-15	O-Ring	1	320xd5.7	NBR	*
55	122-157-17	O-Ring	1	G-260(259.3xd5.7)	NBR	*
56	065-125-16	Outer Cover	1	GSZ-55/75-4	SS	
57	140-075-32	Hex.Bolt	4	M10x25	SWRM	
58	142-164-35	Spring Washer	4	M10	SWRH	
59	062-161-15	Bearing Cover	1		FC	
60	061-153-11	Bearing Collar	1	d85xd100x10t	SS	
61	061-171-15	Spacer	1	d122xd179.5x3.2t	SS	
62	052-125-16	Bearing	1Set	7317ADBC3		
63	142-250-13	Bearing Washer	1	AW17	SPCC	
64	141-082-19	Bearing Nut	1	AN17	SS	
65	122-451-14	O-Ring	1	500xd5.7	NBR	*
66	035-102-30	Oil Plug	2	M12x16(B=21)	SUS304	
67	122-259-10	O-Ring	2	12xd3	NBR	*
68	140-130-10	Hex.Bolt	6	M16x70	SUS304	
69	142-166-11	Spring Washer	6	M16	SUS304	
70	060-127-26	Bearing Housing	1		FC	
71	122-307-14	O-Ring	1	510xd5.7	NBR	*
72	142-165-36	Spring Washer	6	M12	SWRH	
73	140-099-45	Hex.Bolt	6	M12x40	SWRM	
74	090-122-11	Leakage Sensor(Electrode) w/gland	1Set	d9x43L	SUS	
75	003-151-19	Gland (for Leak Sensor)	1		SPC	
76	142-161-32	Spring Washer	2	M5	SWRH	
77	140-000-67	Hex.Bolt	2	M5x20	SS	
78	025-000-52	Mechanical Seal	1	H-70	SIC	
79	143-028-13	Pan Screw	3	M5x10	SWRM	
80	030-135-11	Oil Lifter	1	H-70	SPCC	
81	122-316-16	O-Ring	1	365xd5.7	NBR	*
82	029-147-12	Oil Casing	1	GSZ-75-4	FC	
83	142-165-10	Spring Washer	6	M12	SUS304	
84	140-098-15	Hex.Bolt	6	M12x35	SUS304	
85	122-316-16	O-Ring	1	365xd5.7	NBR	*
86	026-119-16	Oil Seal	1	TC-8011515	NBR	
87	071-109-13	Shaft Sleeve	1	GSZ-75-4	SUS403	
88	144-292-26	Hex.Socket Set Screw	3	M6x10	SUS304	

* Indicates items included in set

PARTS LIST		HI VOLUME DEWATERING/SLURRY PUMP			4/8/2014	
ITEM	PART No.	DESCRIPTION	QTY	SIZE	MATERIAL	NOTES
89	122-224-16	O-Ring	1	S-70(69.5xd2.0)	NBR	*
90	140-096-13	Hex.Bolt	6	M12x25	SUS304	
91	142-165-10	Spring Washer	6	M12	SUS304	
92	028-121-17	Seal Housing	1	GSZ-75-4	FC	
93	122-252-13	O-Ring	1	270xd3.8	NBR	* interchangeable with OLD part# 122-318-18
94	026-119-16	Oil Seal	2	TC-8011515	NBR	
95	026-151-23	Labyrinth Ring	1	GSZ-55/75-4	SUS403	
96	122-133-17	O-Ring	1	G-110(109.4xd3.1)	NBR	*
97	020-345-15	Pump Casing	1	GSZ-75-4	FC	
98	021-859-10	Impeller (60Hz)	1	GSZ-55-4	HiCrFC	
99	142-271-10	Plain Washer	1	M45	SPC	
100	142-174-12	Spring Washer	1	M45	SUS304	
101	157-016-11	Impeller Nut	1	M45P4.5H=75	S35C	
102	122-394-18	O-Ring	1	455xd5	NBR	*
103	022-303-17	Suction Cover	1	GSZ-55/75-4	FC	
104	142-166-11	Spring Washer	8	M16	SUS304	
105	140-124-11	Hex.Bolt	8	M16x40	SUS304	
106	023-177-13	Strainer Stand	1	GSZ-55/75-4	SS	
107	142-166-11	Spring Washer	8	M16	SUS304	
108	140-124-11	Hex.Bolt	8	M16x40	SUS304	
109	140-150-16	Hex.Bolt	8	M20x60	SUS304	
110	142-168-13	Spring Washer	8	M20	SUS304	
111	037-129-13	Flanged Discharge Pipe	1Set	GSZ-75-4	SGP/SS	
112	121-110-28	Packing	1	JIS10Kx250mm	NR	*
		NPT Flange Version				
	048-000-53	Screwed Flange	1	NPT-10(JIS10K)	FC	
	140-176-18	Hex.Bolt	12	M22x90	SUS304	
	141-010-16	Hex.Nut	12	M22	SUS304	
	142-169-14	Spring Washer	12	M22	SUS304	
	121-110-28	Packing	1	JIS10Kx250mm	NR	
		Packing O-Ring Set				
	173-003-19	Packing O-Ring Set	1Set	(Marked by *)		
13	122-264-18	O-Ring (S.Box)	2	140xd3.5	NBR	*
33	121-151-18	Packing (Air Release Valve)	1	P.C.80xd50	CR	*
38	121-457-17	Seal Packing (M.Bracket Bolt)	8	d16xd27x4t	NBR	*
40	122-259-10	O-Ring (Air Tightness Test Plug)	1	12xd3	NBR	*
42	122-451-14	O-Ring (Brq.Housing/Out.Cover)	1	500xd5.7	NBR	*
52	122-113-11	O-Ring (M.Bracket/M.Frame)	1	P-375(374.5xd8.5)	NBR	*
54	122-308-15	O-Ring (M.Frame/Brq.Housing)	1	320xd5.7	NBR	*
55	122-157-17	O-Ring (M.Frame/Brq.Housing)	1	G-260(259.3xd5.7)	NBR	*
65	122-451-14	O-Ring (M.Bracket/Out.Cover)	1	500xd5.7	NBR	*
67	122-259-10	O-Ring (Oil Plug)	2	12xd3	NBR	*
71	122-307-14	O-Ring (Brq.Housing/P.Casing)	1	510xd5.7	NBR	*
81	122-316-16	O-Ring (O.Casing/Brq.Housing)	1	365xd5.7	NBR	*

* Indicates items included in set



MODEL **GSZ55-4**

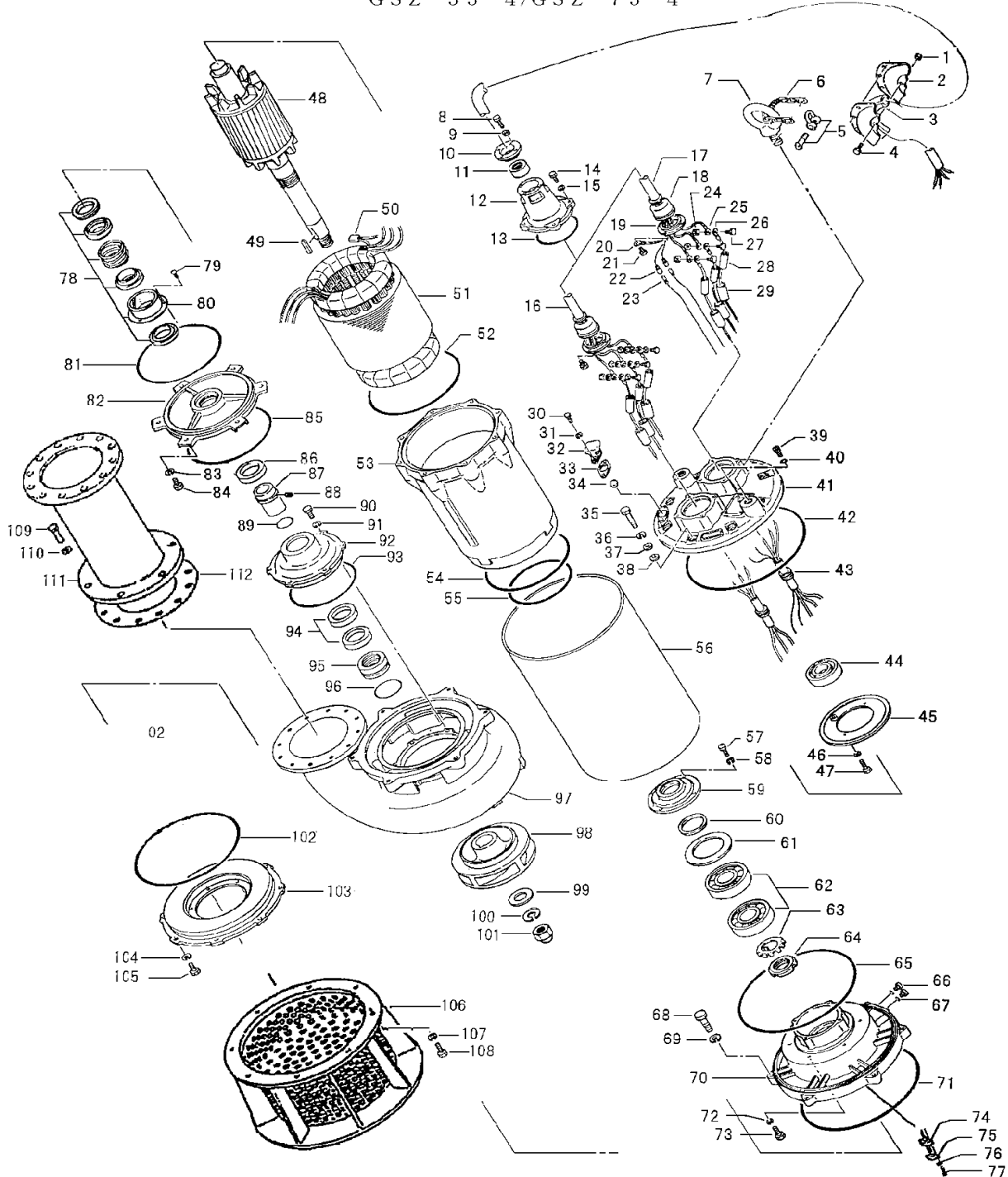
PARTS LIST		HI VOLUME DEWATERING/SLURRY PUMP				4/8/2014
ITEM	PART No.	DESCRIPTION	QTY	SIZE	MATERIAL	NOTES
85	122-316-16	O-Ring (S.Cover/P.Casing)	1	365xd5.7	NBR	*
89	122-224-16	O-Ring (Shaft Sleeve)	1	S-70(69.5xd2.0)	NBR	*
93	122-252-13	O-Ring (Seal Housing/P.Casing)	1	270xd3.8	NBR	*
96	122-133-17	O-Ring (Labyrinth Ring)	1	G-110(109.4xd3.1)	NBR	*
102	122-394-18	O-Ring (S.Cover/P.Casing)	1	455xd5	NBR	*
111	121-110-28	Packing (Discharge Bend)	1	JIS10Kx250mm	NR	*
		Lubricant		Turbine Oil VG32 9,400ml		



PARTS LIST		HI VOLUME DEWATERING/SLURRY PUMP		4/8/2014		
ITEM	PART No.	DESCRIPTION	QTY	SIZE	MATERIAL	NOTES

EXPLODED VIEW

GSZ-55-4/GSZ-75-4



C-01469-1